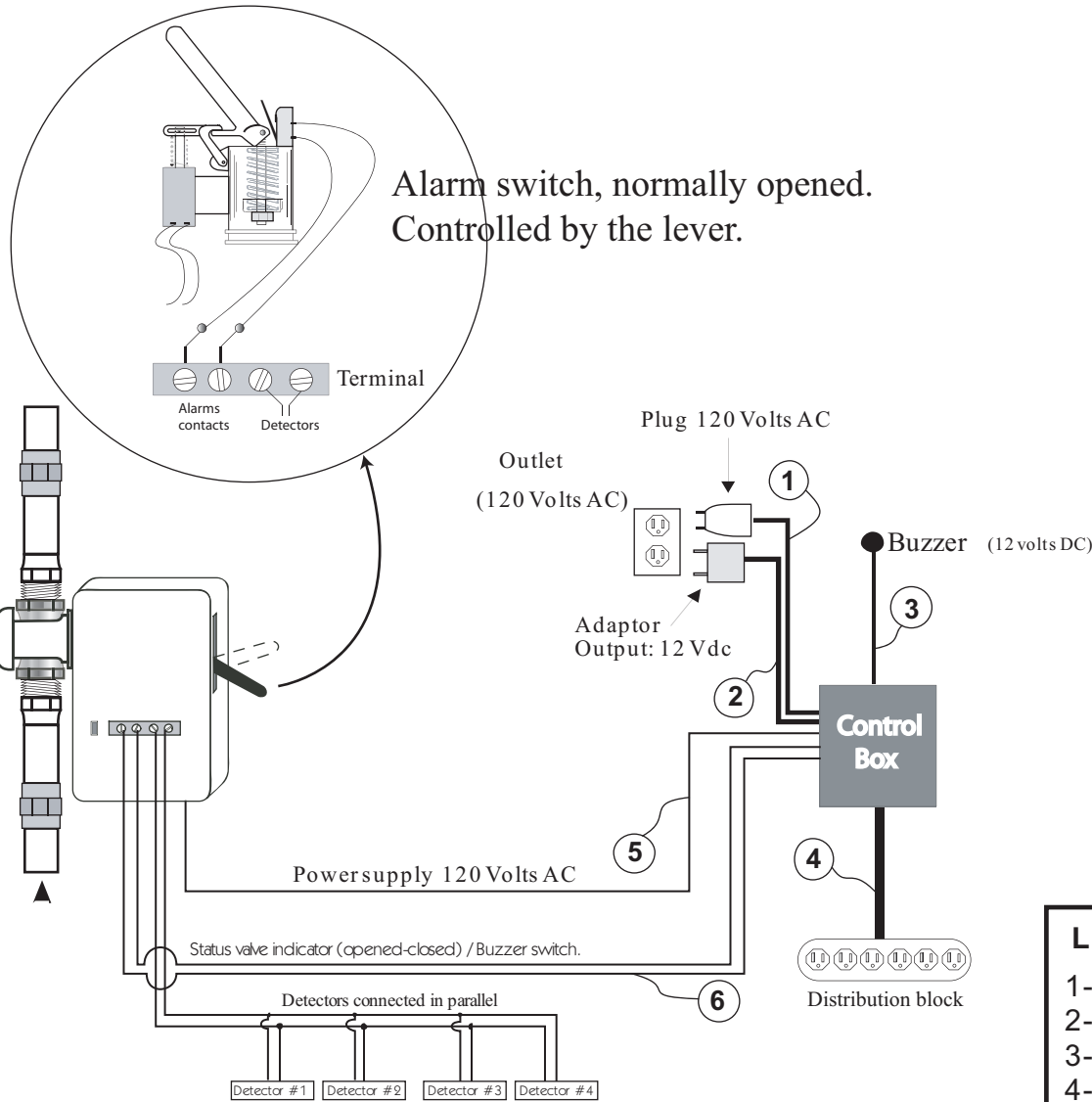
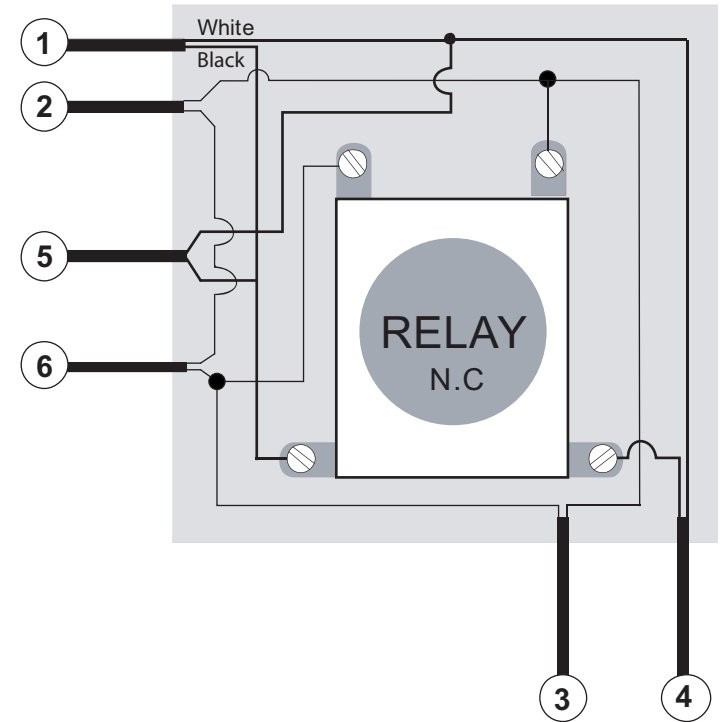


Electrical diagram



CONTROL BOX



LEGEND:

- 1- To electrical outlet .
- 2- To adaptor 12 VDC.
- 3- To Buzzer.
- 4- To distribution block.
- 5- To AQUA-STOP (wiring, 120 V AC)
- 6- To AQUA-STOP (Alarm contacts)

Note: --Relay Normally closed. (N.C.)